

# Art. KRA78-KRA76 Handsfree intercom

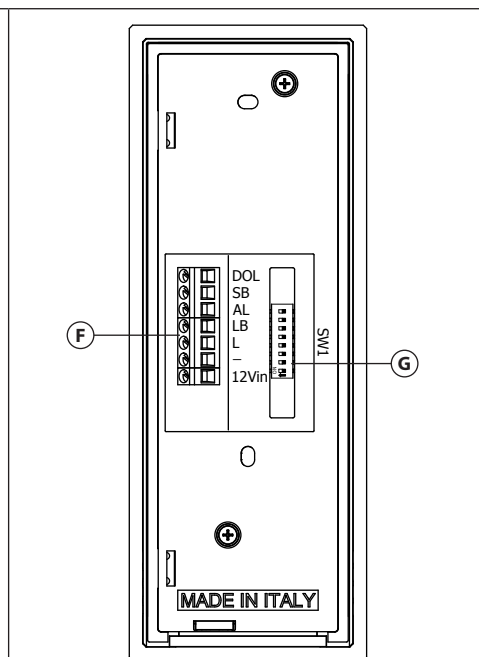
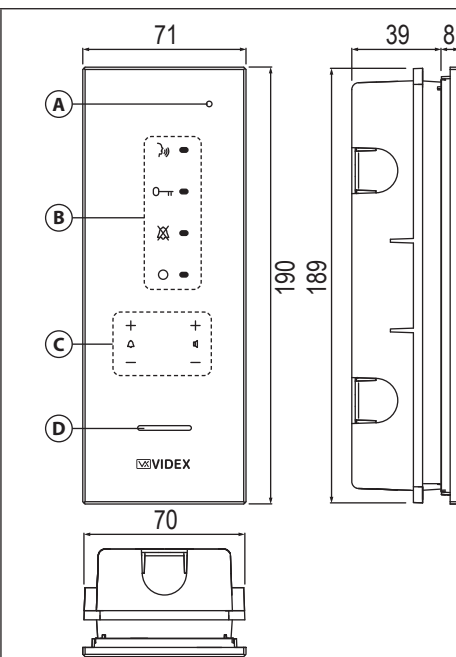
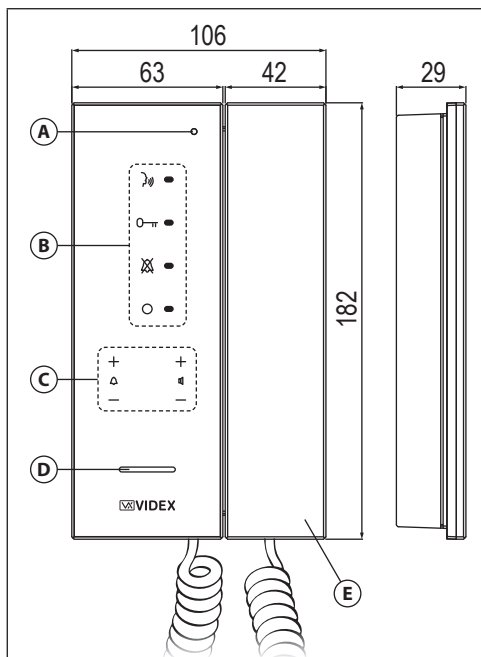


Fig. 1 Art. KRA76 front

Fig. 2 Art. KRA78 front

Fig. 3 Art. KRA78 back

## DESCRIPTION

Intelligent Hands free intercom for the VX2200 digital system with touch sensitive buttons for "door open/concierge call", "answer/camera recall", "privacy" and "service" plus 4 buttons for volume adjustment and programming plus 4 LEDs related to the intercom operation. For the surface version only (Art. KRA76), a handset can also be used in addition to the handsfree mode.

The following programmable options are available:

- Call tone volume.
- Speech volume.
- Intercom address (from 1 to 180).
- Privacy duration (from 30 minutes to 20 hours or unlimited).
- Auxiliary service duration (from 2 to 99 seconds).
- Call melodies (9 available).
- Number of rings (from 1 to 9).
- Intercommunication mode/ Extension ID (from firmware release 2.0 and later).
- Free access service

Additionally the Kristallo has an input for local door bell and alarm.





## LEGEND

- Ⓐ Microphone
- Ⓑ Operating buttons and LED's
- Ⓒ Adjustment buttons
- Ⓓ Speaker
- Ⓔ Handset
- Ⓕ Connection terminals
- Ⓖ 8 way dip switch bank

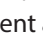
## PUSH BUTTONS AND CONTROLS

	<ul style="list-style-type: none"> <li>• Press this button during an incoming call to open the speech in half duplex mode allowing free speech with the caller in both directions (The related LED will illuminate).</li> <li>• During a conversation, momentary operation of this button will end the call. The LED next to the button will switch off. The system will automatically switch off when the conversation time expires.</li> <li>• Press and hold this button (more than 1 second), during an incoming call or a conversation in progress, to allow the user to answer a call from a visitor at the door station in SIMPLEX speech mode (The related LED will flash rapidly): releasing the button will allow the user to listen to the visitor (The LED will flash slowly). Press and hold the button when you talk to the visitor and release the button when you listen to the visitor.</li> <li>• When the system is in standby, (No calls on the system) operation of this button will open the speech to the door station (Only when the recall facility is enabled). The related LED will illuminate. Press as many time as the ID value of the door panel to connect to.</li> </ul>
	<ul style="list-style-type: none"> <li>• During a conversation, operation of this button will release the door from where the call originated. This will be confirmed by an acoustic tone. If terminal <b>DL</b> is connected, the "door open" LED next to the button will also be illuminated.</li> <li>• When the system is in stand-by, a button press will book a call to the concierge (If available)</li> <li>• If the Free Access service is enabled, when the system is in stand-by, keep pressed this button until the device emits a double beep (  LED will start flashing and the service is running).</li> </ul>

**PUSH BUTTONS AND CONTROLS**

	<ul style="list-style-type: none"> <li>When the system is in stand-by, press this button to enable the service for the programmed time: the related LED will illuminate to signal the service enabled. During an incoming call, with the service enabled, the device does not emit any acoustic signal. The service is disabled when the programmed time expires or pressing again the button.</li> <li>When the system is in stand-by, keep pressed this button until the unit emit a beep and the related LED switches ON to enter to privacy duration programming menu.</li> </ul>
	Press this button to enable the active low output <b>SB</b> for 2 seconds. The related LED illuminates and the intercom emits two beep.
	When the system is in stand-by, press + or – (the intercom emits a beep) to increase or decrease the volume level of the call tone: two short beeps signal the maximum or minimum level reached.
	When intercom is in conversation, press + or – (the intercom emits a beep) to increase or decrease the volume level of the speech: two short beeps signal the maximum or minimum level reached.

**OPERATION****DURING STAND-BY****Intercommunication**

Press the right + button as many time (1 to 9) as the PHONE ID or the EXT. ID (depending on the intercommunication mode i.e. In the same apartment or between different apartments) of the videophone/intercom to call. The  LED will flash with every press.





**RECEIVING A CALL**

During a call:

- To answer in hands free mode press the  button (or pick up the handset on model Art. KRA76).

**DURING THE CONVERSATION**



During the conversation:

- To switch from hands free to push to talk mode, keep pressed the  until the related LED starts to flash slowly. Keep pressed the  button to talk to the visitor (the LED flashes quickly) and release the button (the LED flashes slowly) to listen to the visitor.
- To open the door press the  button.
- To enable the secondary service keep pressed the  button until the confirmation is received.

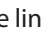

**UNIT INITIALIZATION****TO RESTORE FACTORY PRESET**

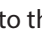

Make a link between the **LB** and – terminals, power up the system and wait until  LED flashes once then remove the link.

**Factory default settings:**



- The melody volume  (factory preset medium level).
- The speech volume  (factory preset medium level).
- The melody (factory preset 1).
- The number of rings (factory preset 6).
- The privacy duration (factory preset never ending).
- The auxiliary service duration (factory preset 2 seconds).
- The intercommunication mode (factory preset extension ID 1 intercommunication inside the same apartment).
- The Free access service is disabled.

**TO ENABLE ENTRANCE RECALL FUNCTION**

Make a link between **AL** and –. Power up the system and wait until  LED flashes twice then remove the link (to disable the feature follow the same procedure, the LED  will flash only once).

Now, when the system is in standby (No calls on the system), operation of  button will open the speech to the door station. The related LED will illuminate. Press as many time as the ID value of the door panel to connect to (i.e. to open the speech to the door panel with ID 3, press 3 times the button  ).

**TO ALLOW THE FREE ACCESS SERVICE TO BE USE**

To set the function, link together **AL** and **LB** to **GND** and power up the device ( and  LED's will flash once). After that, remove the link.

**PROGRAMMING**

Before connecting the intercom to the system, it is important to set the intercom address by the 8 way dip-switch on the back of the unit. All other programming must be made with the intercom connected, powered and in stand-by.

**INTERCOM ADDRESS SETUP SW1 (PHONE ID)**

Each device must be addressed in binary (PHONE ID) using the 8 way dip-switches located on the rear of the unit. Each switch correspond to one bit which can have a value 0 (OFF) or 1 (ON). Each bit corresponds to a decimal weight depending on the position: Switch 1 = decimal 1, 2=2, 3=4, 4=8, 5=16, 6=32, 7=64, 8=128. I.E. to set the address 37, put switches 1, 3 and 6 on (1+4+32=37).

SWITCHES								DECIMAL WEIGHT								ADDRESS
8	7	6	5	4	3	2	1	128	64	32	16	8	4	2	1	
OFF	OFF	OFF	OFF	OFF	OFF	OFF	ON	0	0	0	0	0	0	0	1	1
OFF	OFF	OFF	OFF	OFF	OFF	ON	OFF	0	0	0	0	0	0	1	0	2
OFF	OFF	OFF	OFF	OFF	OFF	ON	ON	0	0	0	0	0	0	1	1	3
OFF	OFF	OFF	OFF	OFF	ON	OFF	OFF	0	0	0	0	0	1	0	0	4
OFF	OFF	ON	OFF	OFF	ON	OFF	ON	0	0	1	0	0	1	0	1	37
ON	OFF	ON	ON	OFF	ON	OFF	OFF	1	0	1	1	0	1	0	0	180

**TO SET THE MELODY (9 AVAILABLE)**

- Keep pressed the button — (loudspeaker minus 🔊) until the service LED illuminates: the intercom play the current melody followed by a beep at the end.
- To listen and select another melody, press again the same button — (a beep signals the end of play).
- When the required melody is reached, wait for the exit from melody programming to store the selected melody: the unit emits a double beep and the LED switches off.

**TO SET THE NUMBER OF RINGS (FROM 1 TO 9)**

- Keep pressed the button + (loudspeaker plus 🔊) until the service LED illuminates and the intercom emits a beep.
- Press the button + as many times as the number of rings to be set (each time the button is pressed the unit emits a beep).
- Once the required number is reached, wait for the exit from programming to store the new value: the unit emits a double beep and the LED switches off.

**TO SET PRIVACY DURATION (FROM 30 MINUTES TO 20 HOURS OR NEVER ENDING)**

- Keep pressed the button ☒ until the related LED illuminates and the intercom emits a beep.
- To set never ending, wait the exit from programming without pressing any button otherwise press one or more times the ☒ button to set the required time (from 30 minutes to 20 hours) considering that each time the duration increases of 30 minutes (i.e. to set 2 hours press 4 times the button).
- Once set the required number of rings, wait the exit from programming to store the new value set: the unit emits a double beep and the LED switches off.





**TO SET AUXILIARY SERVICE DURATION**

1. Press and keep pressed ○ button for 5 seconds to enter auxiliary service duration programming mode (the time during which the SB output remains active): the ○ LED turns on and the unit emits a "beep".
2. Press ○ button as many seconds as required for the activation: the unit emits a "beep" every time the button is pressed. i.e.: press 30 times for 30 seconds. Default value: 2 seconds. Max value 99 seconds.
3. Wait for some seconds: the ○ LED turns off and the unit emits a double "beep" that confirms the new setting is properly stored.
4. The unit returns to stand-by mode.


**TO ENABLE FREE ACCESS SERVICE**

- To enable the service press and keep pressed ○—π button for 5 seconds until the device emits a double beep (☒ LED will start flashing).
- When the service is enabled, pressing the outdoor station button the unit will start ringing and after the last programmed ring, the door will open automatically.
- To disable the service press and keep pressed ○—π button for 5 seconds until the device emits a double beep (☒ Privacy LED will stop flashing).

**Art. KRA78-KRA76** Handsfree intercom**INTERCOMMUNICATION MODE AND EXTENSION ID. SETUP**

1. Press and keep pressed  button for 5 seconds to enter intercommunication mode and extension ID setup: the  LED turns on and the unit emits a “beep”.
2. Two intercommunication options are available:
  - » To enable intercommunication between different apartments (units with different PHONE ID) press nothing to enable “APT. MODE”: this enables intercommunication among devices in different apartments having PHONE IDs from 1 to 9.
  - » To enable intercommunication between extensions in the same apartment (units with the same PHONE ID but with different Extension ID) press the  button as many times (1 to 9) as the value of the Extension ID to set for this intercom. This enables intercommunication between devices in the same apartment having EXTENSION IDs from 1 to 9.
3. Wait for some seconds: the  LED turns off and the unit emits a double “beep” which confirms the new setting is properly stored.
4. The unit returns to stand-by mode.

**CONNECTION TERMINALS SIGNALS**

<b>DOL</b>	12Vdc input to supply “door open” LED
<b>SB</b>	Open collector output (active low) for service button. When the speech is open, pressing the  button the service is enabled for the programmed time. <b>Max 24V - 100mA dc.</b>
<b>AL</b>	Active low input for alarm signal. When active, the system sends the alarm to the concierge if installed and enables the Art. 512DR if installed and properly configured for the alarm management
<b>LB</b>	Active low input for local call “Local Bell”
<b>L</b>	BUS DATA line input
<b>-</b>	BUS Ground line input
<b>12Vin</b>	Stand-by +12Vdc power supply input

**TECHNICAL SPECIFICATION****Power supply voltage:** 12÷14Vdc

<b>Power consumption:</b>	Stand-by:	6mA max (on 12Vdc)
	Operating:	200mA Max (on 12Vdc)

# Kristallo Series Flush and surface intercoms wall mounting instructions

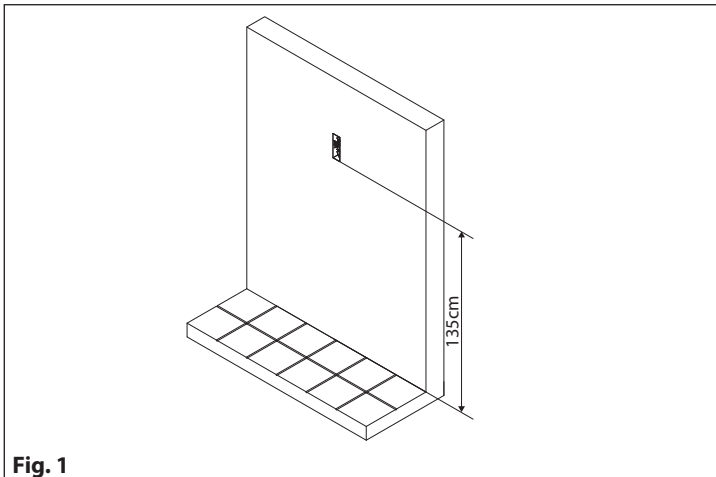


Fig. 1

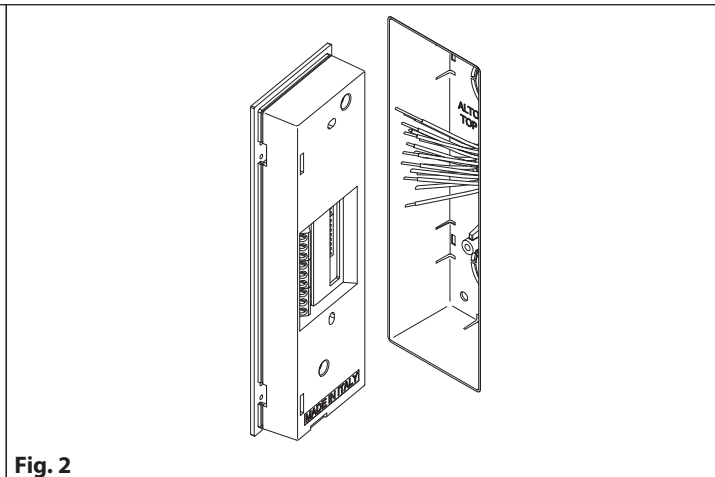


Fig. 2

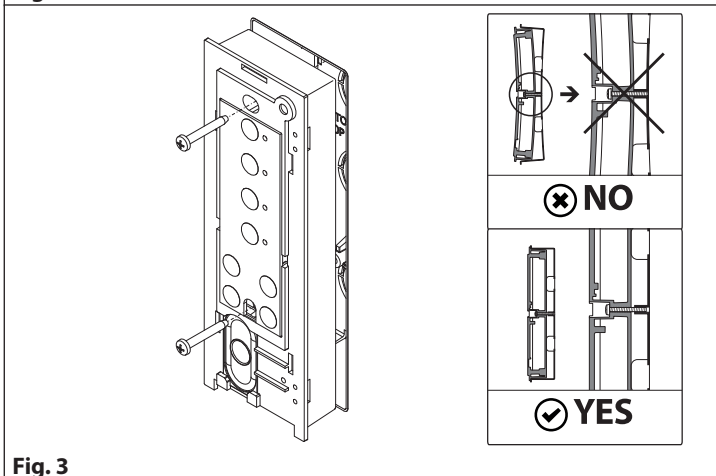


Fig. 3

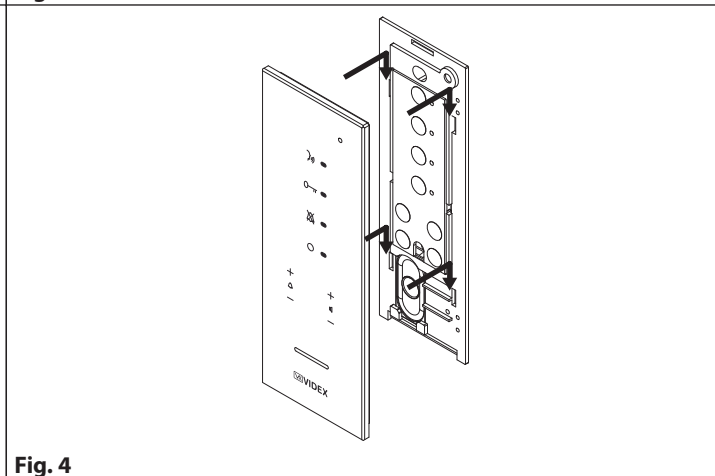


Fig. 4

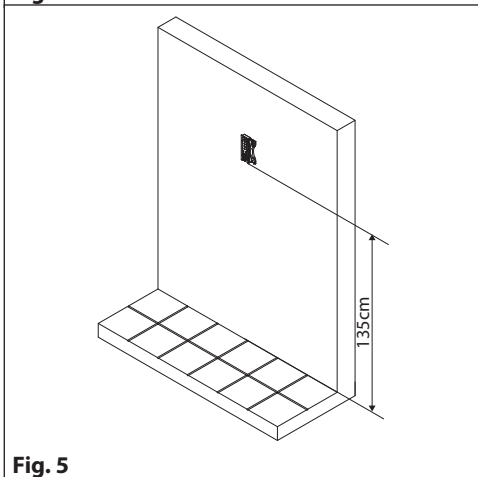


Fig. 5

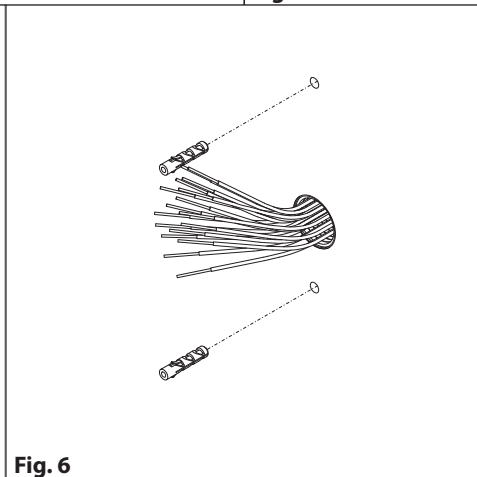


Fig. 6

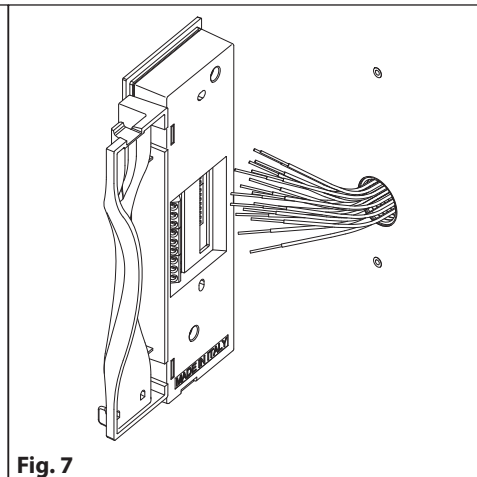


Fig. 7

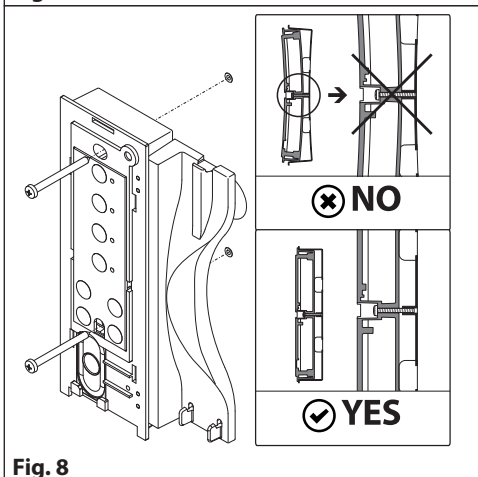


Fig. 8

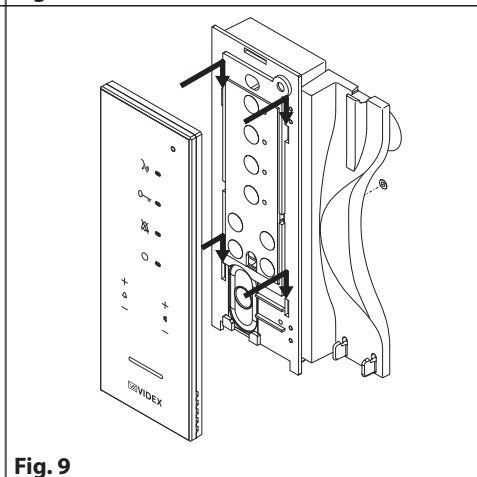


Fig. 9

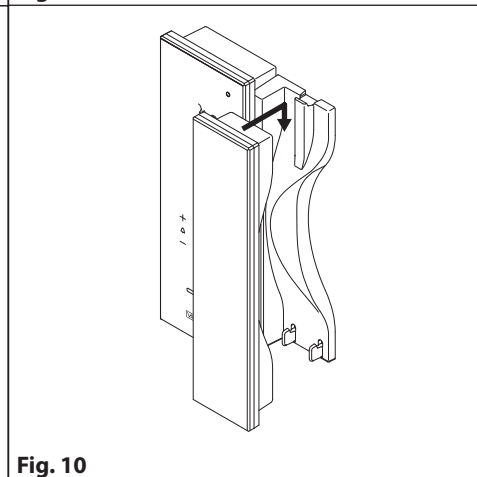


Fig. 10

**FLUSH KRISTALLO INTERCOM – MOUNTING INSTRUCTIONS**

1. Protect the holes to fix the intercom to the flush mounting box then embed the flush mounting box in line with the wall in vertical position at 135cm height from the floor as shown in **Fig. 1**;
2. As shown in **Fig. 2**, connect the wires using a flat screw driver then setup the dip-switches as per provided connection diagram or instruction sheet.
3. As shown in **Fig. 3**, once the wires are connected, fix the intercom to the flush mounting box using a Phillips screwdriver and the two screws provided.



**In order to avoid malfunctions, please do not over tighten the fixing screws shown in Fig. 3.**

4. Once the intercom is fixed to the flush mounting box, place the front plate against the intercom by inserting the hooks in the corresponding openings and hook the plate by pushing it down as shown in **Fig. 4**.
5. Test the system for correct operation.

**SURFACE KRISTALLO INTERCOM – MOUNTING INSTRUCTIONS**

1. As shown in **Fig. 5**, place the intercom against the wall at 135cm height from the floor and mark the fixing holes. Make the holes (5mm diameter) and insert the provided wall plugs as shown in **Fig. 6**.
2. As shown in **Fig. 7**, connect the wires using a flat screw driver then setup the dip-switches as per provided connection diagram or instruction sheet.
3. As shown in **Fig. 8**, once the wires are connected, fix the intercom to the wall using a Phillips screwdriver and the two screws provided.



**In order to avoid malfunctions, please do not over tighten the fixing screws shown in Fig. 8.**

4. Once the intercom is fixed to the wall, place the front plate against the intercom by inserting the hooks in the corresponding openings and hook the plate by pushing it down as shown in **Fig. 9** and hang the handset as shown in **Fig. 10**.
5. Test the system for correct operation.

## Art. KRA78-KRA76 Citofoni vivavoce

Rev.0.3

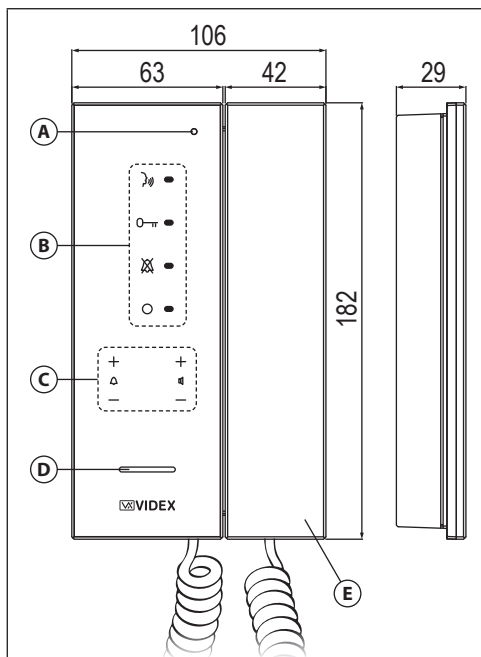


Fig. 1 Art. KRA76 fronte

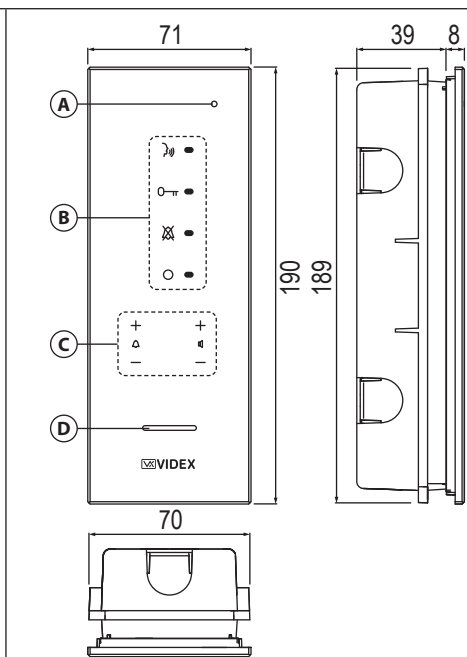


Fig. 2 Art. KRA78 fronte

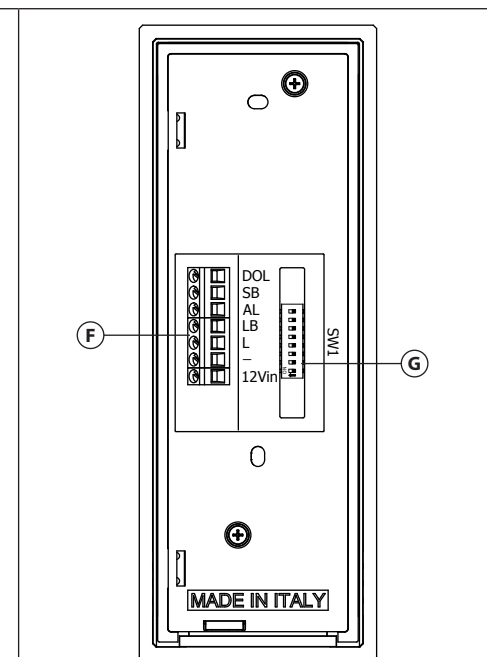


Fig. 3 Art. KRA78 retro

## DESCRIZIONE

Citofono vivavoce intelligente specifico per il sistema VX2200 con pulsanti touch sensitive aventi funzione di "apri-porta/chiamata a portiere", "risposta/auto-accensione", "privacy" e "servizio" più 4 pulsanti per le regolazioni dei volumi di suoneria, fonia e per le programmazioni. 4 LED forniscono indicazioni visive circa il funzionamento del citofono. Nella versione da superficie, Art. KRA76, è presente anche la cornetta per l'utilizzo convenzionale in aggiunta alla modalità vivavoce.

Le regolazioni possibili sono:

- Volume della suoneria.
- Volume della fonia.

Le programmazioni sono:

- Indirizzo del citofono (da 1 a 180).
- Durata privacy (da 30 minuti a 20 ore o illimitata).
- Durata servizio ausiliario (da 2 a 99 secondi).
- Tipo di suoneria (9 disponibili).
- Numero di squilli (da 1 a 9).
- Modo di intercomunicazione / indirizzo di interno (dalla versione firmware 2.0 e successive)
- Servizio Funzione Dottori

Ingressi di tipo attivo basso per chiamata locale ed allarme

## LEGENDA





- Ⓐ Microfono
- Ⓑ Pulsanti e LED operativi
- Ⓒ Pulsanti regolazioni
- Ⓓ Altoparlante
- Ⓔ Cornetta
- Ⓕ Morsettiera di connessione
- Ⓖ Dip-switch ad 8 vie

## PULSANTI E REGOLAZIONI


	<ul style="list-style-type: none"> <li>• Alla ricezione della chiamata, abilita l'inizio conversazione. Il relativo LED si accende.</li> <li>• Ad impianto acceso, consente lo spegnimento manuale (rapida pressione del tasto). In ogni caso lo spegnimento è automatico (il relativo LED si spegne) allo scadere del tempo di conversazione.</li> <li>• Premendo il pulsante per più di 2 secondi, il videocitofono passa nel modo trasmissione ad una via: per parlare con l'esterno occorre tenere premuto il pulsante (il LED lampeggia rapidamente), mentre per ascoltare il visitatore occorre lasciare il pulsante (il LED lampeggia lentamente). Trascorsi 10 secondi senza premere nuovamente il pulsante, il sistema si spegne. Il videocitofono torna al funzionamento normale alla successiva accensione.</li> <li>• Ad impianto spento, premere il pulsante tante volte quant'è il valore dell'identificativo del posto esterno da accendere. Il relativo LED si accende (questa funzione è disponibile solo se abilitata tramite la procedura in seguito descritta in questa sezione).</li> </ul>
	<ul style="list-style-type: none"> <li>• A sistema acceso, apre la porta. L'apertura è indicata da un segnale acustico. Se il relativo morsetto è stato opportunamente collegato, il LED in corrispondenza al pulsante chiave resterà acceso per tutto il tempo che la porta resta aperta.</li> <li>• A sistema spento effettua la chiamata al centralino di portineria se presente nell'impianto.</li> <li>• Se il servizio Funzione Dottori è abilitato, quando il sistema è in stand-by, tenere premuto questo pulsante finché il dispositivo non emette un doppio bip (il LED  inizia a lampeggiare e il servizio si avvia).</li> </ul>



**PULSANTI E REGOLAZIONI**

	<ul style="list-style-type: none"> <li>Con il sistema in stand-by, premere rapidamente per attivare il servizio privacy per il tempo programmato: il relativo LED si accende a segnalare lo stato di attivazione del servizio. All'arrivo della chiamata, con il servizio attivo, l'unità non emette alcun segnale acustico. Il servizio si disattiva allo scadere del tempo programmato o premendo nuovamente il pulsante.</li> <li>Con il sistema in stand-by, tenere premuto questo pulsante fino a che l'unità non emette un bip e il relativo LED si accende per entrare nel menù di programmazione della durata privacy.</li> </ul>
	A videocitofono in conversazione o in stand-by, premere questo pulsante per abilitare l'uscita di tipo basso <b>SB</b> per 2 secondi. Il relativo LED si illumina per 2 secondi e il citofono emette 2 bip.
	Con il sistema in stand-by, premere + o - (il citofono emette un bip ad ogni pressione) per incrementare o decrementare il volume della nota di chiamata: un doppio bip rapido segnala il raggiungimento del massimo o del minimo livello.
	Durante la conversazione, premere + o - (il citofono emette un bip ad ogni pressione) per incrementare o decrementare il volume della fonia: un doppio bip rapido segnala il raggiungimento del massimo o del minimo livello.

**FUNZIONAMENTO****DURANTE LO STAND-BY****Intercomunicazione**

Premere il pulsante + destro un numero di volte pari dall'indirizzo (PHONE ID.) o all'interno (EXT.ID) del dispositivo da chiamare. Il LED  lampeggia a ogni pressione. Se si sta chiamando l'indirizzo o l'interno dipende dal modo di intercomunicazione impostato.



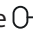

**RICEZIONE DI UNA CHIAMATA**

Durante la chiamata è possibile:


- Rispondere in modalità viva-voce premendo il pulsante  (o sollevando la cornetta per il modello Art. KRA76).

**DURANTE LA CONVERSAZIONE**

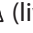
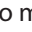
Durante la conversazione è possibile:

- Passare dalla modalità vivavoce alla modalità "push to talk" (premi per parlare) tenendo premuto il pulsante  fino a che il relativo LED non inizia a lampeggiare lentamente. Tenere premuto il pulsante  (il LED lampeggia velocemente) per parlare con il visitatore, rilasciare il pulsante (il LED lampeggia lentamente) per ascoltare il visitatore.
- Aprire la porta premendo il pulsante .
- Attivare il servizio secondario tenendo premuto il pulsante  fino alla segnalazione di attivazione.





**IMPOSTAZIONI INIZIALI****RIPRISTINO DEI VALORI DI FABBRICA PER PROGRAMMAZIONI E REGOLAZIONI**

Alimentare il sistema facendo un ponte tra i morsetti **LB** (Local Bell) e - (massa linea dati) del citofono fino a che il LED  non lampeggia una volta quindi rimuovere il link.



**Vengono riportati alle impostazioni di fabbrica:**

- Il volume della suoneria  (livello medio).
- Il volume della fonia  (livello medio).
- La suoneria (default 1).
- Il numero di squilli (default 6).
- Durata della privacy (default infinito).
- La durata servizio ausiliario (default 2 secondi).
- Il modo di intercomunicazione (di fabbrica indirizzo di interno 1 modo di intercomunicazione all'interno dello stesso appartamento).
- Il servizio Funzione Dottori è disabilitato.

**ABILITAZIONE DELLA FUNZIONE DI AUTO-ACCENSIONE**

Alimentare il sistema facendo un ponte tra i morsetti **AL** (alarm) e - (massa linea dati) del citofono fino a che il LED  non lampeggia due volte quindi rimuovere il ponte. Ora, con il sistema a riposo, la pressione del pulsante  permette di aprire la comunicazione con il posto esterno. Il relativo LED resterà acceso durante la conversazione. Premere il pulsante  tante volte quant'è il valore dell'ID del posto esterno con il quale si vuole aprire la comunicazione (**Es.** per aprire la comunicazione con il posto esterno con ID 3 premere 3 volte il pulsante ).

**CONSENTIRE L'UTILIZZO DEL SERVIZIO FUNZIONE DOTTORI**

Per impostare la funzione, collegare **AL** e **LB** a **GND** e alimentare il dispositivo (i LED  e  lampeggiano una volta). Successivamente, rimuovere il collegamento.



**PROGRAMMAZIONE**


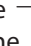
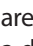
Prima di collegare il citofono, si suggerisce di provvedere alla programmazione dell'indirizzo dello stesso tramite il dip-switch a 8 vie accessibile sul retro dell'unità. Le altre programmazioni devono essere effettuate con il citofono alimentato e in stand-by.

**IMPOSTAZIONE INDIRIZZO CITOFONO (PHONE ID) SW1**

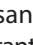
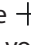
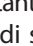
L'indirizzo del videocitofono è codificato in binario tramite il dip-switch ad 8 vie situato al suo interno. Ogni switch corrisponde ad un bit che può essere a 0 (OFF) o 1 (ON), a ciascun bit corrisponde un peso decimale in base alla posizione: per impostare l'indirizzo desiderato, mettere ad ON (1) gli switch la cui somma dei pesi corrisponde al valore dell'indirizzo. Ad esempio, per impostare l'indirizzo 37, mettere ad ON gli switch 1, 3 e 6 ( $1+4+32=37$ ).

SWITCH								PESO DECIMALE								INDIRIZZO
8	7	6	5	4	3	2	1	128	64	32	16	8	4	2	1	
OFF	OFF	OFF	OFF	OFF	OFF	OFF	ON	0	0	0	0	0	0	0	1	1
OFF	OFF	OFF	OFF	OFF	OFF	ON	OFF	0	0	0	0	0	0	1	0	2
OFF	OFF	OFF	OFF	OFF	OFF	ON	ON	0	0	0	0	0	0	1	1	3
OFF	OFF	OFF	OFF	OFF	ON	OFF	OFF	0	0	0	0	0	1	0	0	4
OFF	OFF	ON	OFF	OFF	ON	OFF	ON	0	0	1	0	0	1	0	1	37
ON	OFF	ON	ON	OFF	ON	OFF	OFF	1	0	1	1	0	1	0	0	180

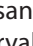
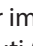
**SUONERIA (9 DISPONIBILI)**

- Tenere premuto il pulsante  (meno altoparlante ) fino a che il LED servizio si accende: il citofono riproduce la suoneria attiva seguita da un bip al termine.
- Per ascoltare e selezionare altre suonerie, premere nuovamente il pulsante  (un bip segnala ogni volta il termine della riproduzione).
- Selezionata la suoneria desiderata, attendere l'uscita dalla programmazione per memorizzare la nuova suoneria: l'unità emette un doppio bip e il LED si spegne.

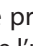


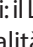
**NUMERO DI SQUILLI (DA 1 A 9)**

- Tenere premuto il pulsante  (più altoparlante ) fino a che il LED servizio si accende e il citofono emette un bip.
- Premere il pulsante  tante volte quant'è il numero di squilli che si vuole impostare (ad ogni pressione del pulsante viene emesso un bip).
- Raggiunto il numero di squilli richiesto, attendere l'uscita dalla programmazione per memorizzare il valore impostato: l'unità emette un doppio bip e il LED si spegne.

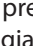
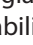
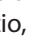
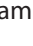
**DURATA PRIVACY (DA 30 MINUTI A 20 ORE O INFINITO)**

- Tenere premuto il pulsante  fino all'accensione del relativo LED e all'emissione di un bip.
- Per impostare un intervallo pari a "infinito", attendere l'uscita dalla programmazione senza premere nulla altrimenti premere più volte il pulsante  per impostare il valore desiderato (da 30 minuti a 20 ore) considerando che ogni pressione corrisponde ad un incremento di 30 minuti (**Es.** per impostare 2 ore premere 4 volte).
- Impostato il valore desiderato, attendere l'uscita dalla programmazione per la memorizzazione: l'unità emette un doppio bip e il LED si spegne.

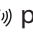
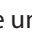


**DURATA SERVIZIO AUSILIARIO**

1. Premere e mantenere premuto il pulsante  per 5 secondi per entrare in modalità impostazione durata servizio ausiliario (il tempo durante il quale l'uscita **SB** rimane attiva): il LED  si accende e l'unità emette un "bip".
2. Premere il pulsante  tante volte quanti sono i secondi che si intende far rimanere attivo il servizio: l'unità emette un "bip" ad ogni pressione del pulsante. **Es.:** premere 30 volte per 30 secondi. Valore di default: 2 secondi. Valore massimo: 99 secondi.
3. Aspettare alcuni secondi: il LED  si spegne e l'unità emette un doppio "bip" che conferma la corretta registrazione della nuova impostazione.
4. L'unità ritorna in modalità stand-by.


**PER ABILITARE IL SERVIZIO FUNZIONE DOTTORI**

- Per abilitare il servizio premere e mantenere premuto il pulsante  per 5 secondi fino a quando l'unità emette un doppio bip (il LED  inizia a lampeggiare).
- Quando il servizio è abilitato, premendo il pulsante della postazione esterna l'unità inizierà a suonare e, dopo l'ultimo squillo programmato, la porta si aprirà automaticamente.
- Per disattivare il servizio, premere e mantenere premuto il pulsante  per 5 secondi fino a quando l'unità emette un doppio bip (il LED  smetterà di lampeggiare).

**IMPOSTAZIONE MODO DI INTERCOMUNICAZIONE E NUMERO D'INTERNO (EXT.ID)**

1. Premere e mantenere premuto il pulsante  per 5 secondi per entrare in modalità impostazione intercomunicazione e indirizzo di interno: il LED  si accende e l'unità emette un "bip".
2. In base alle azioni seguenti è possibile scegliere tra due diversi modi di intercomunicazione:
  - » Per abilitare l'intercomunicazione tra appartamenti (dispositivi con diverso indirizzo/PHONE ID.) attendere senza premere nulla per abilitare il modo appartamenti ("APT.MODE"): questo abilita l'intercomunicazione tra dispositivi in appartamenti diversi aventi indirizzo (PHONE ID) da 1 a 9.
  - » Per abilitare l'intercomunicazione tra interni dello stesso appartamento (dispositivi con stesso indirizzo/PHONE ID ma con numeri di interno/EXT.ID diversi) premere il pulsante  un numero di volte compreso tra 1 e 9 per impostare l'interno del citofono in uso: questo abilita l'intercomunicazione tra dispositivi nello stesso appartamento con interni da 1 a 9.
3. Aspettare alcuni secondi: il LED  si spegne e l'unità emette un doppio "bip" che conferma la corretta registrazione della nuova impostazione.
4. L'unità ritorna in modalità stand-by.

**SEGNALI MORSETTIERA DI CONNESSIONE**

<b>DOL</b>	Ingresso +12Vdc per LED "door open"
<b>SB</b>	Uscita open collector pulsante di servizio (tipo attivo basso). Quando la fonia è aperta, premendo il pulsante  si abilita il servizio per il tempo programmato. <b>Max 24V - 100mA dc</b>
<b>AL</b>	Ingresso attivo basso per segnale di allarme. Quando attivo, il sistema invia l'allarme al centralino di portineria se presente e attiva l'Art. 512DR se presente ed opportunamente configurato
<b>LB</b>	Ingresso attivo basso per chiamata di piano "Local Bell"
<b>L</b>	Ingresso linea dati BUS
<b>-</b>	Ingresso massa linea BUS
<b>12Vin</b>	Ingresso +12Vdc di alimentazione in stand-by

**SPECIFICHE TECNICHE**

**Tensioni d'alimentazione:** 12÷14Vdc

**Assorbimenti:**

A riposo:	6mA max (su 12Vdc)
In funzione:	200mA Max (su 12Vdc)

**Serie Kristallo** Istruzioni di montaggio a parete citofoni da incasso e da superficie

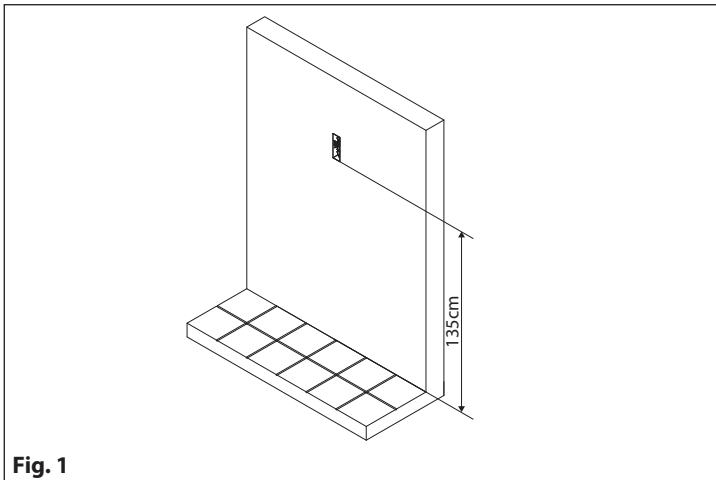


Fig. 1

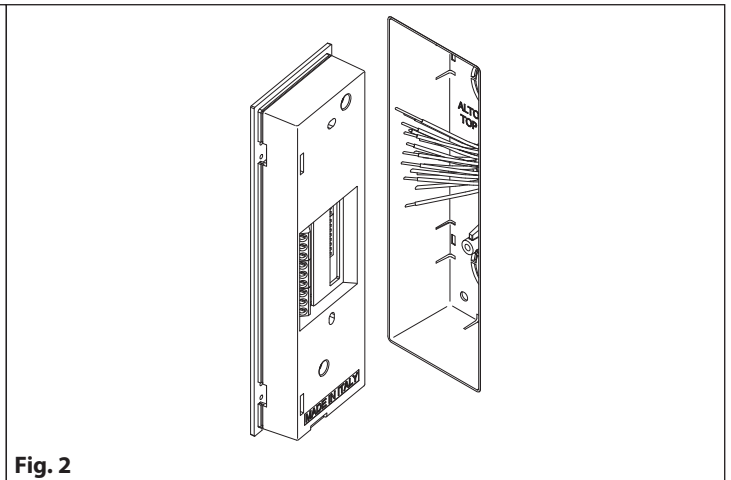


Fig. 2

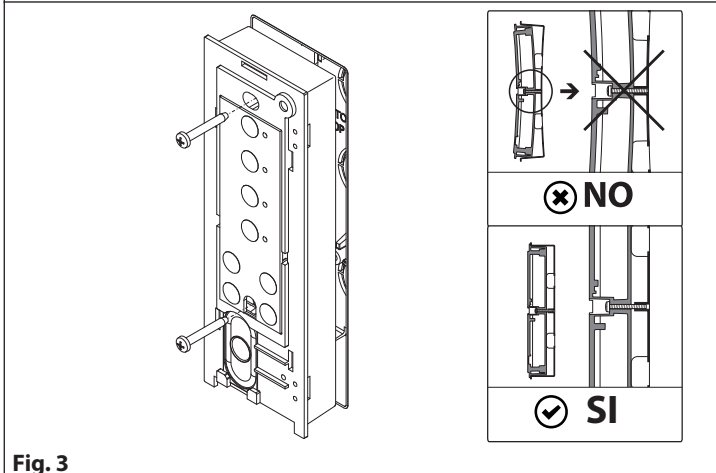


Fig. 3

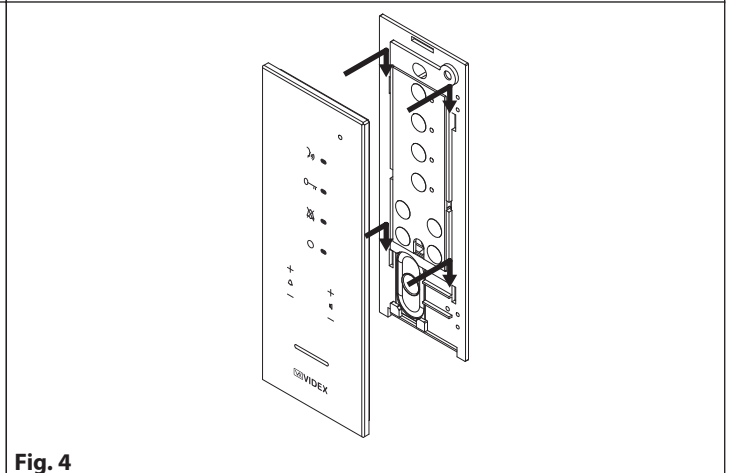


Fig. 4

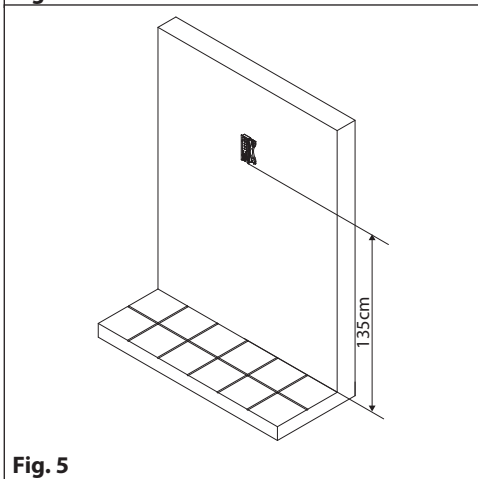


Fig. 5

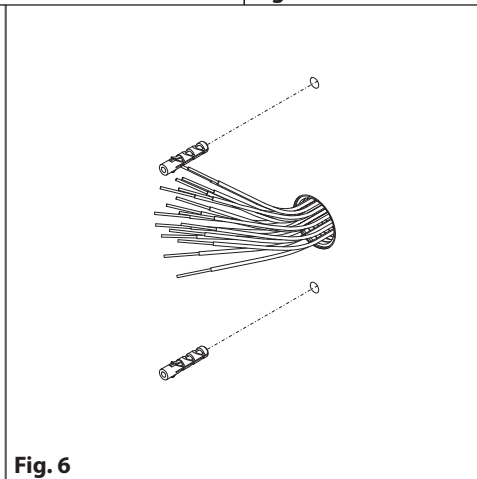


Fig. 6

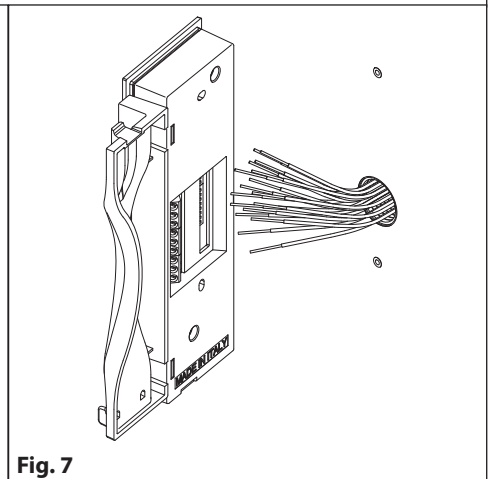


Fig. 7

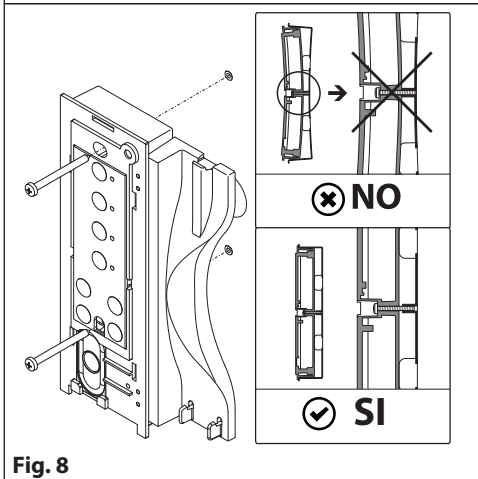


Fig. 8

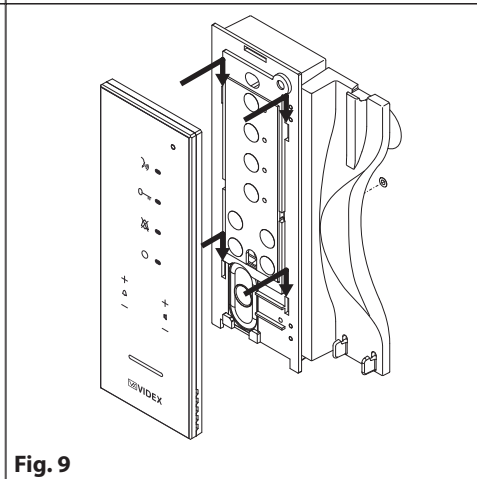


Fig. 9

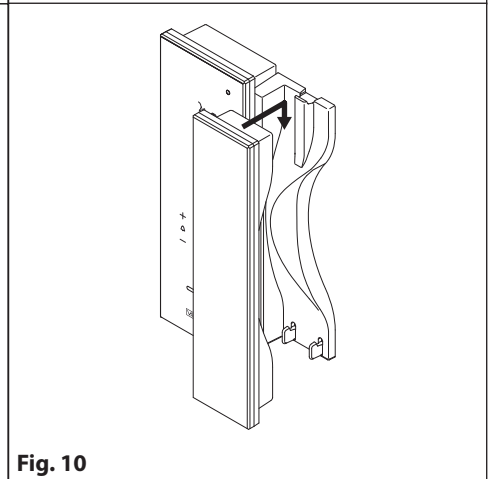


Fig. 10

**CITOFONO KRISTALLO DA INCASSO – ISTRUZIONI DI MONTAGGIO**

1. Proteggendo i fori di fissaggio del citofono alla scatola da incasso, murare a filo muro la scatola da incasso in posizione verticale lasciando circa 135cm tra la parte inferiore della scatola e il pavimento come mostrato in **Fig. 1**;
2. Come mostrato in **Fig. 2**, effettuare le connessioni con l'ausilio di un giravite piatto e le configurazioni dei dip-switches come da schema di collegamento fornito a corredo o come da foglio di istruzioni.
3. Come mostrato in **Fig. 3**, effettuate tutte le connessioni, procedere al fissaggio del citofono alla scatola da incasso tramite le 2 viti fornite a corredo con l'ausilio di un giravite a croce.

 **Per evitare malfunzionamenti, evitare di serrare eccessivamente le viti di fissaggio mostrata nella Fig. 3.**

4. Fissato il citofono alla scatola da incasso, avvicinare la placca frontale al videocitofono inserendo i 4 ganci nelle rispettive fessure quindi fissare la stessa spingendola verso il basso come mostrato in **Fig. 4**.
5. Procedere al collaudo del sistema.

**CITOFONO KRISTALLO DA SUPERFICIE – ISTRUZIONI DI MONTAGGIO**

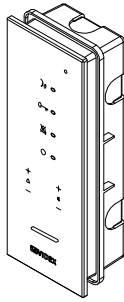
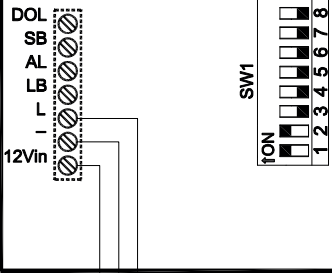
1. Come mostrato in **Fig. 5**, appoggiare a parete il citofono lasciando circa 135cm tra la parte inferiore ed il pavimento e prendere i riferimenti per i fori di fissaggio a parete. Realizzare i fori (diametro 5mm) ed inserire all'interno i tasselli ad espansione forniti a corredo come mostrato in **Fig. 6**.
2. Come mostrato in **Fig. 7**, effettuare le connessioni con l'ausilio di un giravite piatto e le configurazioni dei dip-switches come da schema di collegamento fornito a corredo o come da foglio di istruzioni.
3. Come mostrato in **Fig. 8**, effettuate tutte le connessioni, procedere al fissaggio del citofono alla scatola da incasso tramite le 2 viti fornite a corredo con l'ausilio di un giravite a croce.

 **Per evitare malfunzionamenti, evitare di serrare eccessivamente le viti di fissaggio mostrata nella Fig. 8.**

4. Fissato il citofono a parete, avvicinare la placca frontale al citofono inserendo i 4 ganci nelle rispettive fessure quindi fissare la stessa spingendola verso il basso come mostrato in **Fig. 9** e agganciare la cornetta come mostrato in **Fig. 10**.
5. Procedere al collaudo del sistema.

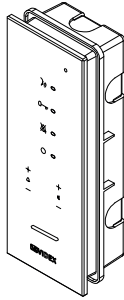
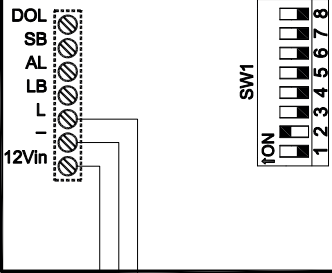
Art.KRA78

Address N.3



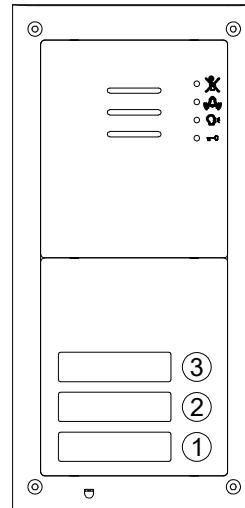
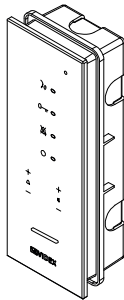
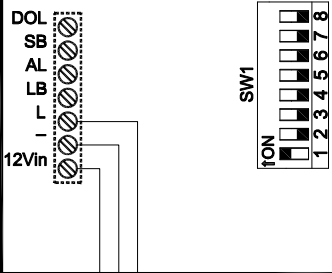
Art.KRA78

Address N.2

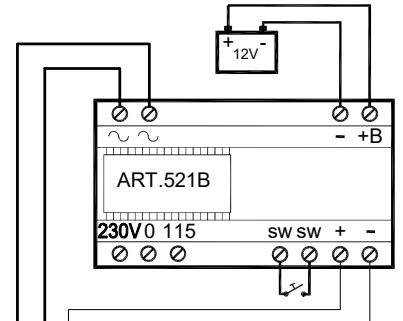
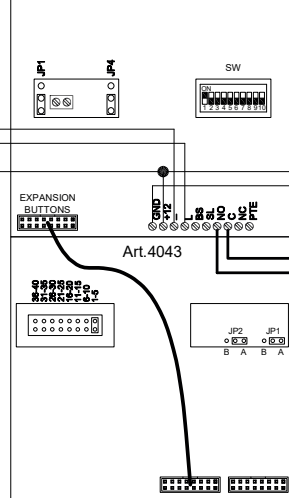



Art.KRA78

Address N.1



Unit ID: 1 Art.4204-0



Title:		Data creazione: 04/07/2022		Foglio
---				1 / 1
Titolo:		Data modifica: 12/07/2022		
---				
	Videx Electronics S.p.A.	Notes:	Autore: Marco Rongoni	
	Via del Lavoro 1, 63020 Monte Giberto (AP)	---	Cod. File: 224kau017b.dwg	
	Phone: +39 0734 631669 - Fax +39 0734 631669	Notes:		
www.videx.it - info@videx.it	---			



## ENG DISPOSAL

In accordance with the Legislative Decree no. 49 of 14 March 2014 "Implementation of the Directive 2012/19/EU on waste electrical and electronic equipment (WEEE)".

The crossed-out bin symbol on the equipment or on the packaging indicates that when the product reaches the end of its lifetime, it must be collected separately from mixed municipal waste. The user must, therefore, dispose of the equipment at the end of its lifetime in the suitable waste collection centres or bring it to the retailer during the purchase of a new equipment of equivalent type at the ratio of one-to-one. Furthermore, the user is allowed to dispose of the WEEEs of very small size (domestic appliances without any external dimension exceeding 25 cm (9.84 inches) for free to the retailers, without any purchase obligation. The correct waste disposal of the WEEEs contributes to their reuse, recycling and recovery and avoids potential negative effects on the environment and human health due to the possible presence of dangerous substances within them.



## ITA SMALTIMENTO

Ai sensi del Decreto Legislativo 14 marzo 2014, n° 49 "Attuazione della direttiva 2012/19/UE sui rifiuti di apparecchiature elettriche ed elettroniche (RAEE)".

Il simbolo del cassonetto barrato riportato sull'apparecchiatura o sulla sua confezione indica che il prodotto alla fine della propria vita utile deve essere raccolto separatamente dagli altri rifiuti urbani misti. L'utente dovrà, pertanto, conferire l'apparecchiatura giunta a fine vita presso gli idonei centri di raccolta differenziata oppure riconsegnarla al rivenditore al momento dell'acquisto di una nuova apparecchiatura di tipo equivalente, in ragione di uno a uno. L'utente ha, inoltre, la possibilità di conferire gratuitamente presso i distributori, senza alcun obbligo di acquisto, per i RAEE di piccolissime dimensioni (per le apparecchiature di tipo domestico con nessuna dimensione esterna superiore a 25 cm).

L'adeguata raccolta differenziata dei RAEE contribuisce al loro riutilizzo, riciclaggio e recupero ed evita potenziali effetti negativi sull'ambiente e sulla salute umana dovuti alla eventuale presenza di sostanze pericolose al loro interno.

## FRA ÉLIMINATION

Conformément au décret législatif n° 49 du 14 mars 2014 relatif à l'« Application de la directive 2012/19 / UE relative aux déchets d'équipements électriques et électroniques (DEEE) ».

Le symbole de la poubelle barrée sur l'équipement ou sur son emballage indique que le produit en fin de vie utile doit être collecté séparément des autres déchets municipaux en mélange. L'utilisateur doit donc remettre l'équipement en fin de vie aux centres de collecte appropriés ou le restituer au revendeur lors de l'achat d'un nouveau type d'équipement équivalent, dans le rapport de un à un. De plus, l'utilisateur a la possibilité de conférer gratuitement aux distributeurs, sans aucune obligation d'achat, de très petits DEEE (pour les appareils ménagers sans dimensions extérieures supérieures à 25 cm). La collecte séparée adéquate des DEEE contribue à leur réutilisation, leur recyclage et leur valorisation et évite les éventuels effets négatifs sur l'environnement et la santé humaine en raison de la présence possible de substances dangereuses dans ceux-ci.

## SPA ELIMINACIÓN

De conformidad con el Decreto legislativo n. 49 de 14 de marzo 2014 "Aplicación de la Directiva 2012/19/UE relativa a residuos de aparatos eléctricos y electrónicos (RAEE)".

El símbolo del contenedor tachado indicado sobre los aparatos o sobre los embalajes señala que el producto al final de su vida útil debe ser recogido separadamente de otros residuos municipales mezclados. Por tanto, el usuario deberá conferir los aparatos al final de su vida útil en los apropiados centros de recogida selectiva o devolverlos al revendedor al momento de la compra de nuevos aparatos equivalentes, en una relación de uno a uno. Además, el usuario tiene la posibilidad de entregar sin cargo a los distribuidores, sin ninguna obligación de compra, los RAEEs muy pequeños (para electrodomésticos sin dimensiones externas superiores a 25 cm).

La recogida selectiva apropiada de los RAEEs contribuye a su reutilización, reciclaje y valorización y evita potenciales impactos negativos sobre el medio ambiente y la salud humana debidos a la posible presencia de sustancias peligrosas dentro de ellos.

## NLD VERWIJDERING

In overeenstemming met het Wetsbesluit nr. 49 van 14 maart 2015 "Implementatie van de Richtlijn 2012/19/EU inzake afgedankte elektrische en elektronische apparaten (AEEA)".

Het doorgekruiste vuilnisbaksymbool op het apparaat of de verpakking geeft aan dat het product aan het einde van zijn levensduur niet samen met het gewone huisvuil weggegooid mag worden. De gebruiker moet het apparaat aan het einde van zijn levensduur inleveren bij een gepast inzamelpunt of de winkel waar hij een nieuw apparaat van een gelijksoortig type zal kopen. De gebruiker kan tevens AEEA's van een zeer klein formaat (huishoudapparaten met een buitenafmeting kleiner dan 25 cm (9,84 inch) gratis en zonder enige aankoopverplichting bij handelaars inleveren. Een juiste verwijdering van AEEA's draagt bij tot hergebruik, recycling en terugwinning, en voorkomt potentiële negatieve effecten op het milieu en de menselijke gezondheid door de mogelijke aanwezigheid van gevaarlijke stoffen.

## POR ELIMINAÇÃO

De acordo com o Decreto Legislativo n.º 49 de 14 de março de 2014 "Implementação da Diretiva 2012/19/UE relativa aos resíduos de equipamentos elétricos e eletrónicos (REEE)".

O símbolo do caixote do lixo riscado no equipamento ou na embalagem indica que quando o produto atinge o fim da sua vida útil, deve ser recolhido separadamente dos resíduos urbanos mistos. O utilizador deve, portanto, eliminar o equipamento no final da sua vida útil nos centros de recolha de resíduos adequados ou levá-lo ao vendedor durante a compra de um novo equipamento de tipo equivalente, na proporção de um para um. Além disso, o utilizador pode eliminar gratuitamente os REEE de dimensões muito reduzidas aos vendedores, sem qualquer obrigação de compra. (só aparelhos domésticos sem qualquer dimensão externa que exceda 25 cm, ou seja 9,84 polegadas). A correta eliminação dos REEE contribui para a sua reutilização, reciclagem e recuperação e evita potenciais efeitos negativos sobre o ambiente e a saúde humana devido à possível presença de substâncias perigosas no seu interior.



<b>MANUFACTURER</b> <b>FABBRICANTE</b> <b>FABRICANT</b> <b>FABRICANTE</b> <b>FABRIKANT</b> <b>FABRICANTE</b> الشركة المصنعة	<b>VIDEX ELECTRONICS S.P.A.</b> Via del Lavoro, 1 63846 Monte Giberto (FM) Italy Tel (+39) 0734 631669 Fax (+39) 0734 632475 www.videx.it - info@videx.it	
<b>CUSTOMER SUPPORT</b> <b>SUPPORTO CLIENTI</b> <b>SUPPORTS CLIENTS</b> <b>ATENCIÓN AL CLIENTE</b> <b>KLANTENDIENST</b> <b>APOIO AO CLIENTE</b> خدمة العملاء	<b>VIDEX ELECTRONICS S.P.A.</b> www.videx.it technical@videx.it Tel: +39 0734-631669 Fax: +39 0734-632475	UK Customers only: <b>VIDEX SECURITY LTD</b> www.videxuk.com Tech Line: 0191 224 3174 tech@videxuk.com

*Portugal office:*  
**VX IBÉRIA, UNIPESSOAL LDA**  
 Rua Tenente Mário Grilo, 26 D, E, F  
 4200-397 Porto  
 Phone: (+351) 221 124 531  
 www.videx.it  
 comercial@videx.it

*Singapore office:*  
**VIDEX ASIA PACIFIC PTE LTD**  
 31 Woodlands Close  
 #06-37 Woodlands Horizon  
 Singapore 737855  
 Phone: (+65) 81898912  
 commercial@videx.it

*Main UK office:*  
**VIDEX SECURITY LTD**  
 1 Osprey Trinity Park  
 Trinity Way  
 LONDON E4 8TD  
 Phone: (+44) 0370 300 1240  
 www.videxuk.com  
 marketing@videxuk.com

*Northern UK office:*  
**VIDEX SECURITY LTD**  
 Unit 4-7  
 Chillingham Industrial Estate  
 Chapman Street  
 NEWCASTLE UPON TYNE - NE6 2XX  
 Tech Line: (+44) 0191 224 3174  
 Phone: (+44) 0370 300 1240

*Greece office:*  
**VIDEX HELLAS Electronics**  
 48 Filolaou Str.  
 11633 ATHENS  
 Phone: (+30) 210 7521028  
 (+30) 210 7521998  
 Fax: (+30) 210 7560712  
 www.videx.gr  
 videx@videx.gr

*Danish office:*  
**VIDEX DANMARK**  
 Hammershusgade 15  
 DK-2100 COPENHAGEN  
 Phone: (+45) 39 29 80 00  
 Fax: (+45) 39 27 77 75  
 www.videx.dk  
 videx@videx.dk

*Benelux office:*  
**NESTOR COMPANY NV**  
 E3 laan, 93  
 B-9800 Deinze  
 Phone: (+32) 9 380 40 20  
 Fax: (+32) 9 380 40 25  
 www.nestorcompany.be  
 info@nestorcompany.be

*Dutch office:*  
**NESTOR COMPANY BV**  
 Business Center Twente (BCT)  
 Grotestraat, 64  
 NL-7622 GM Borne  
 www.nestorcompany.be  
 info@nestorcompany.be



The product is CE marked demonstrating its conformity and is for distribution within all member states of the EU with no restrictions. This product follows the provisions of the European Directives 2014/30/EU (EMC); 2014/35/EU (LVD); 2011/65/EU (RoHS): CE marking 93/68/EEC.

Le produit est marqué CE à preuve de sa conformité et peut être distribué librement à l'intérieur des pays membres de l'union européenne EU.  
 Ce produit est conforme aux directives européennes 2014/30/EU (EMC) ; 2014/35/EU (LVD) ; 2011/65/EU (RoHS): marquage CE 93/68/EEC.

Het product heeft de CE-markering om de conformiteit ervan aan te tonen en is bestemd voor distributie binnen de lidstaten van de EU zonder beperkingen. Dit product volgt de bepalingen van de Europese Richtlijnen 2014/30/EU (EMC); 2014/35/EU (LVD); 2011/65/EU (RoHS): CE-markering 93/68/EEG.

يحمل المنتج علامة التوافق الأوروبي CE لإظهار توافقه مع المواصفات ذات الصلة وإمكانية توزيعه في كافة دول الاتحاد الأوروبي بدون أية قيود. يلبي هذا المنتج جميع متطلبات التوجيهات الأوروبية 2014/30/ت.ع (EMC) ; 2014/35/ت.ع (LVD) ; 2011/65/ت.ع (RoHS) : علامة المطابقة للمواصفات الأوروبية CE 93/68/ت.ع.

Il prodotto è marchiato CE a dimostrazione della sua conformità e può essere distribuito liberamente all'interno dei paesi membri dell'Unione Europea UE.  
 Questo prodotto è conforme alle direttive Europee: 2014/30/UE (EMC); 2014/35/UE (LVD); 2011/65/UE (RoHS): marcatura CE 93/68/EEC.

El producto lleva la marca CE que demuestra su conformidad y puede ser distribuido en todos los estados miembros de la unión europea UE.  
 Este producto cumple con las Directivas Europeas 2014/30/UE (EMC); 2014/35/UE (LVD); 2011/65/UE (RoHS): marca CE 93/68/EEC.

O produto tem a marca CE que demonstra a sua conformidade e destina-se a distribuição em todos os estados membros da UE, sem restrições. Este produto segue as disposições das Diretivas Europeias 2014/30/UE (EMC); 2014/35/UE (LVD); 2011/65/UE (RoHS): marcação CE 93/68/CEE.

