

319

Active two way distribution box



Up to 50 devices on the same BUS riser (100 apartments)

Simplified 3 level video amplification settings (low, medium and high)

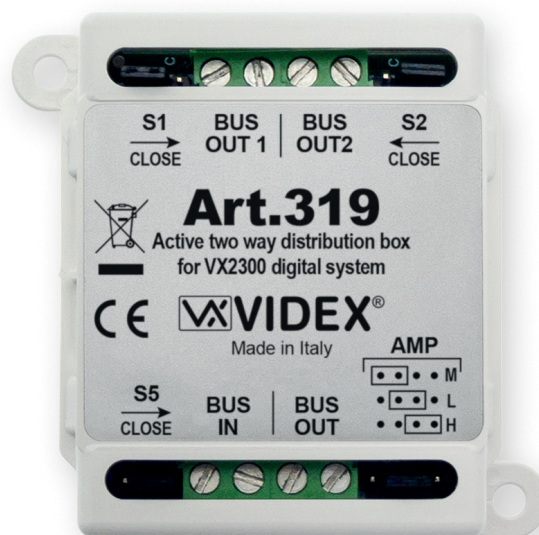
Electronic short circuit protection to isolate the device from the bus allowing other devices to continue operating normally

The unit distributes the BUS signal to 2 outputs linked to vide ophones or intercoms.

The jumper AMP allows the amplification adjustment easy, the related positions corresponding to a medium level (M), low level (L) and high level (H) are marked.

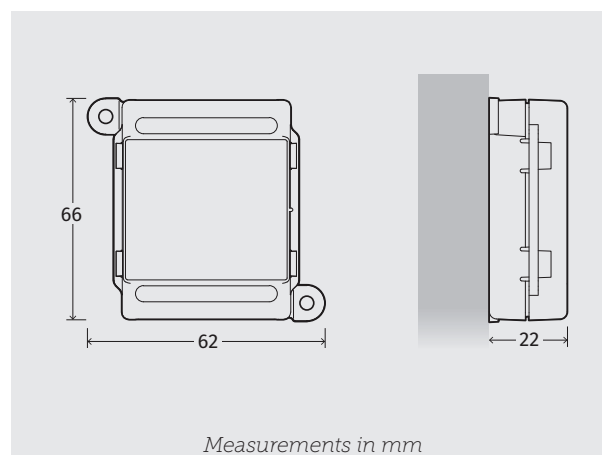
The amplification only affects the 2 outputs and not the loop through output.

Art. 319 also includes a BUS isolation feature which isolates Art. 319 from the rest of the BUS in case a short on one of its outputs occurs. This prevents a short from happening in any apartment impairing the whole system.



Technical characteristics

Device type	Active two way distribution box
Adjustments	3-level amplification via jumper (low, medium and high)
Protections	Electronic short circuit protection to isolate the device from the BUS riser
Power supply	Supplied by the BUS
Housing	Plastic box
Size (mm)	62 x 66 x 22
Mounting	Wall mount
Working temperature	-20° +60°C



VIDEX ELECTRONICS S.P.A.

Via del Lavoro, 1 - 63846 Monte Giberto (FM) - ITALY
tel +39 0734 631669 - fax +39 0734 632475
www.videx.it

