

SERIE
4000

4901

Standalone digital codelock

 **VX2200**

 **VX2300**

 **GSM**

 **IPURE®**

3 dry contacts relays

PTE input

3 codes

Programmable blue backlight codelock

Programming by keypad



4901/M with 1-module wall
installation kit 4881

Available finishes

Anodized aluminium

Matte finished stainless steel



4901/A



4901/M



1986  2021

 **VIDEX®**

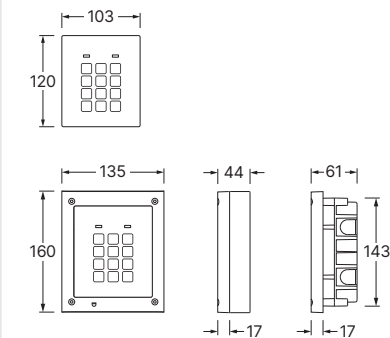
 100% MADE IN ITALY 

Stand-alone access control module with numeric keypad common to all systems

Stand-alone access control module for IPure, VX2300 and GSM systems. Backlighting of the 12 buttons with blue LEDs, 2 LEDs for status/operation alerts. 3 relays with contacts C, NC, NO (24V AC/DC - 2A) programmable for temporary activation (01 ... 99 seconds) or for switching operation. Configuration of 3 codes that can be combined with each relay. 2 PTE inputs (active/low) to directly control relays 1 and 2. Acoustic and visual alerts during operation. Vandal resistant plate with IK07 and IP65 protection rating. Operating temperature -20°/+60°C. Power supply 12/24V AC/DC. Keyboard programming. Dimensions: 103×120×43mm. 1 module.

Technical characteristics

Relay number, contacts and voltages	3 Dry contacts, Max 24Vac/dc 2A
PTE input	Yes, for relay 1 & 2
Codes	3
Operation	Standalone
Programming	Keypad
Keypad backlight	Blue. Programmable
Finishes	Matte stainless steel (4901/M) Anodized aluminium (4901/A)
Mounting	Modular 4000 series 1 module
Power supply	12/24 Vac/dc
Working temperature	-20 +60°C



Measurements in mm

Accessories



4851
1-module flush
installation kit



4881
1-module wall
installation kit



4871
1-module rain shield
with frame for flush
installation kit



4891
1-module rain shield
with frame wall
installation kit

