

# 2813

## RS485 Remote Relay



The **Art.2813** is a networkable RS485 remote relay which is compatible with **VIDEX's** 4G GSM intercom modules (excl. **Art.150/4G**) and **VIDEX's** IP system devices.

When connected via the RS485 bus it can be integrated as part of an access control network with additional **Art.2813** remote relays or with **Art.4903** keypads and **Art.4850R** proximity readers.

It has a single onboard relay (**CO**, **NO** and **NC**) and two switched 0V auxiliary outputs **A1** and **A2**. The relay and both auxiliary outputs can be programmed to operate from 1 - 63 seconds or 0 for latch "toggle" mode.

The relay can be operated directly via the **PTE** input or alternatively the relay and both auxiliary outputs can be activated remotely via text message or by using **VIDEX's** GSM mobile apps (the **SMS Wizard** for users and the **SMS Wizard PRO** for installers) or **VIDEX's** IP **CloudNected** app.

In addition the **Art.2813** remote relay can

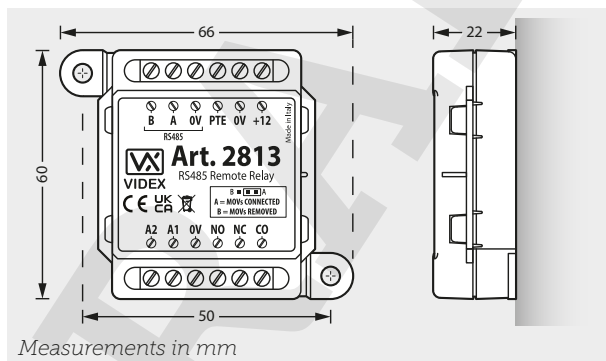
be setup with the same device ID as the 4G GSM modules, IP system devices or the **Art.4903** keypads and **Art.4850R** proximity readers whereby it will mirror their respective outputs allowing for a **Secured by Design** configuration.

### Main features

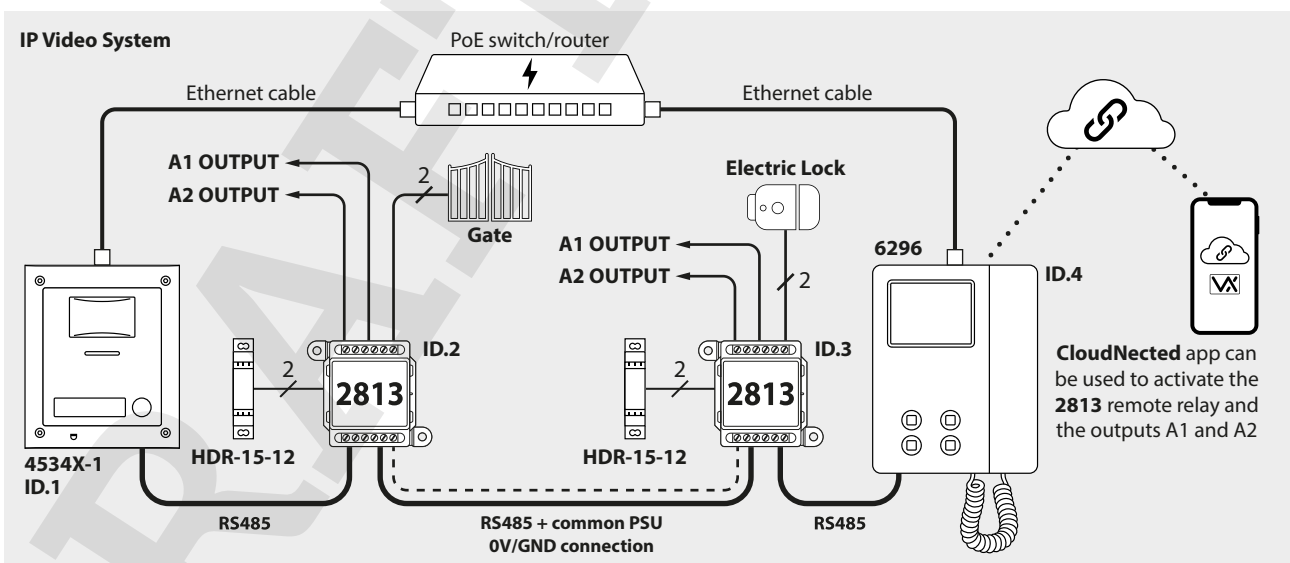
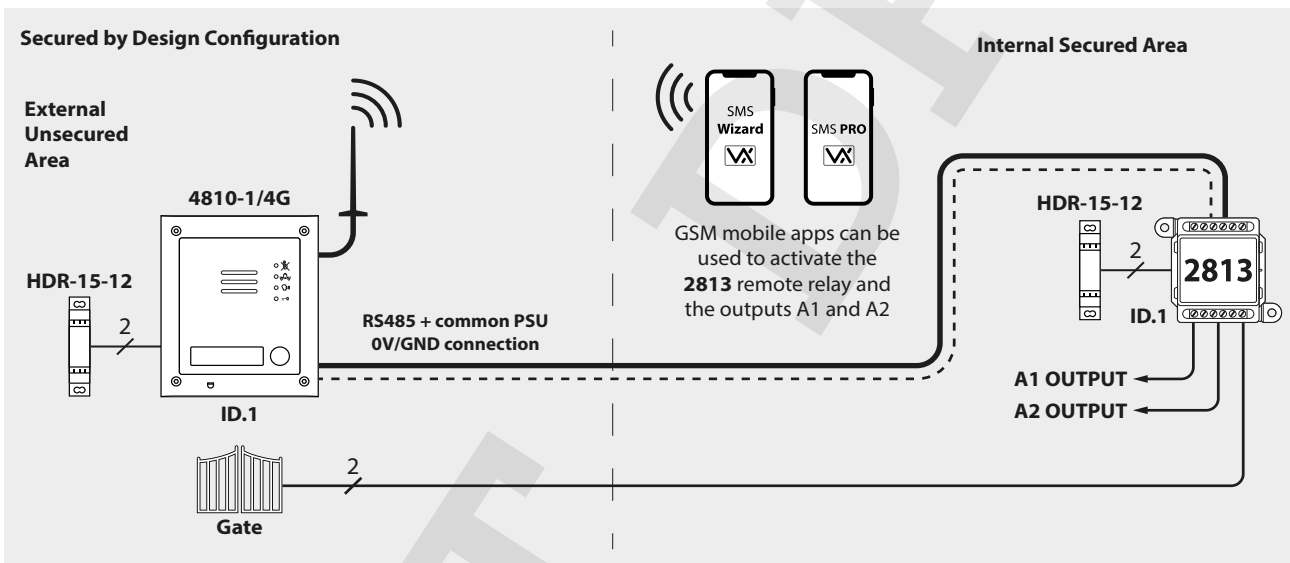
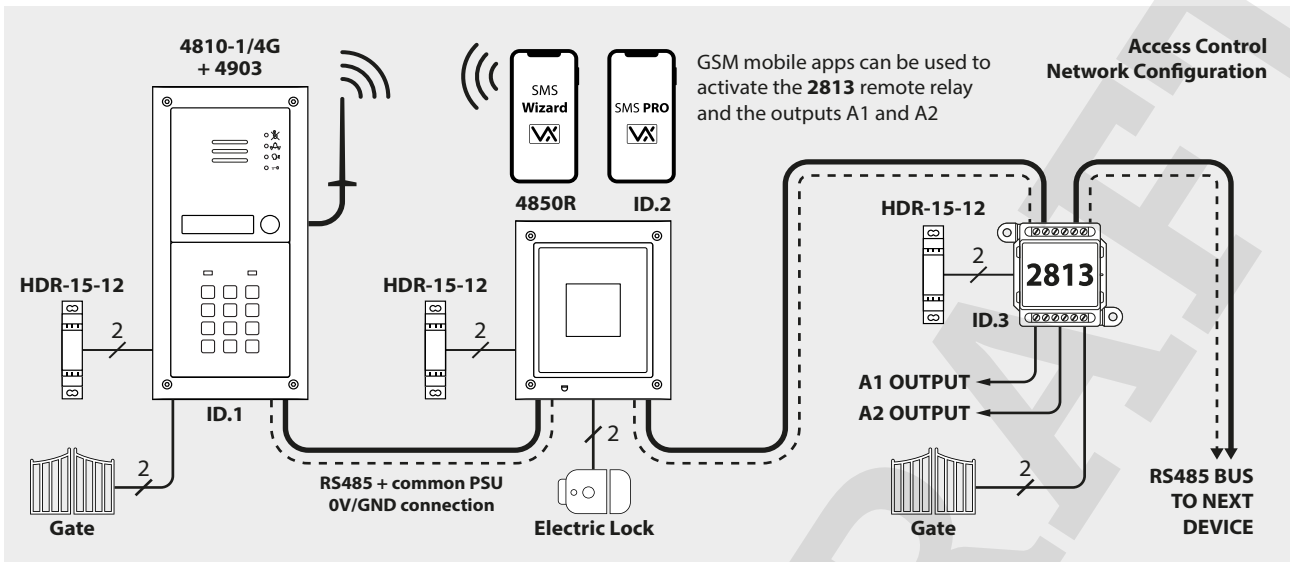
- RS485 bus connectivity.
- Connection to 4G GSM intercom modules, IP system devices, **Art.4903** keypads and **Art.4850R** proximity readers.
- Dry contact relay (**CO**, **NO** and **NC**) with latch "toggle" mode ability.
- Switched 0V **PTE** input for the relay.
- 2 switched 0V auxiliary outputs **A1** and **A2**.
- Operate the relay and auxiliary outputs remotely via text messages or via **VIDEX's** GSM mobile apps: the **SMS Wizard** (for users) and the **SMS Wizard PRO** (for installers) or **VIDEX's** IP **CloudNected** app.
- **Secured by Design** feature.

### Technical characteristics

<b>Device type</b>	Networkable RS485 remote relay
<b>Power supply</b>	12Vdc +/-10%
<b>Current</b>	5mA (standby) 34mA (operation)
<b>Relays</b>	1x dry contact relay (CO, NO and NC / 3A @ 24Vac/dc max.)
<b>Back EMF protection</b>	Internal MOVs across CO to NO and CO to NC contacts (via adjustable jumper)
<b>Inputs</b>	1x PTE (switched 0V)
<b>Outputs</b>	2x auxiliary outputs A1 and A2
<b>Programming</b>	Device ID setup: 0 - 63. Relay, A1 & A2 activation times (1 - 63 seconds or 0 for latch "toggle" mode) via internal dip-switches
<b>Mounting</b>	Surface wall mount



THE POWER TO SECURE



**VIDEX SECURITY LTD.**

**Main UK Office**

1 Osprey, Trinity Park, Trinity Way,  
London, E4 8TD  
tel: 0370 300 1240

[www.videxuk.com](http://www.videxuk.com)

**Northern UK Office**

Unit 4-7 Chillingham Ind. Estate, Chapman Street,  
Newcastle Upon Tyne, NE6 2XX  
tel: 0370 300 1240

[sales@videxuk.com](mailto:sales@videxuk.com)

